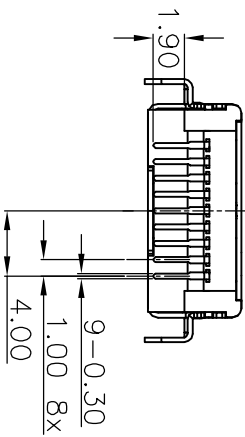
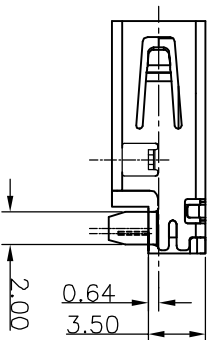
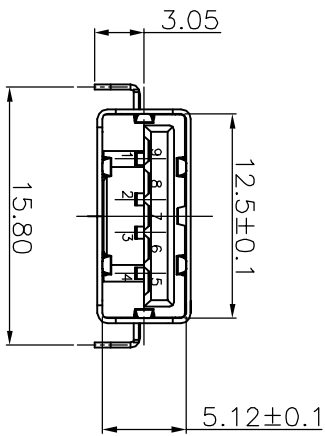
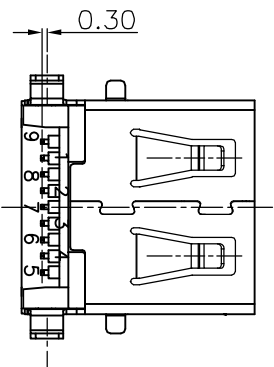


RECOMMENDED P.C.B
LAYOUT(1.0~1.60±0.05)

- NOTES:
 1.ELECTRONIC:
 CONTACT RESISTANCE: 30mohm MAX
 INSULATION RESISTANCE: 100 Mohm MIN
 WITHSTAND VOLTAGE:AC 100V,1min.
 2.MECHANICAL:
 DURABILITY: 1500 CYCLE
 ENVIRONMENT CHARACTERISTICS:
 3.ENVIRONMENT CHARACTERISTICS:
 OPERTING TEMPERATURE:-25°C TO +85°C



Pin NUMBER/NAME	SIGNAL
1	VBUS
2	D-
3	D+
4	GND
5	SIDA_SSRX-
6	SIDA_SSRX+
7	GND_DRAIN
8	SIDA_SSTX-
9	SIDA_SSTX+
	Shell Shield



3	SHELL	1	BRONZE/SUS	NI PLATED
2	CONTACT	9	COPPER ALLOY	AU/TIN PLATED
1	HOUSING	1	THERMOPLASTIC	(UL 94V-0)BLUE
No.	PART NAME	QTY	MATERIAL	REMARK

CSCONN

CSCONN PRECISE ELECTRONICS CO.,LTD

UNITS:	mm
GENERAL TOLERANCE	
X. ° ±5°	0. X±0.25
X. 1 ±2°	0. XX±0.2
XX. ±1°	0. XXX±0.1

PART NO.(INTENDED USE)
CUS30143002001

TITLE: USB 3.0 AF 平口 沉板3.0

APPD:

DWG NO. USB

CHKD: Skilia

SCALE SHEET

DR: Kitty

1 OF 1 REV A



1 2 3 4 5 6 7 8