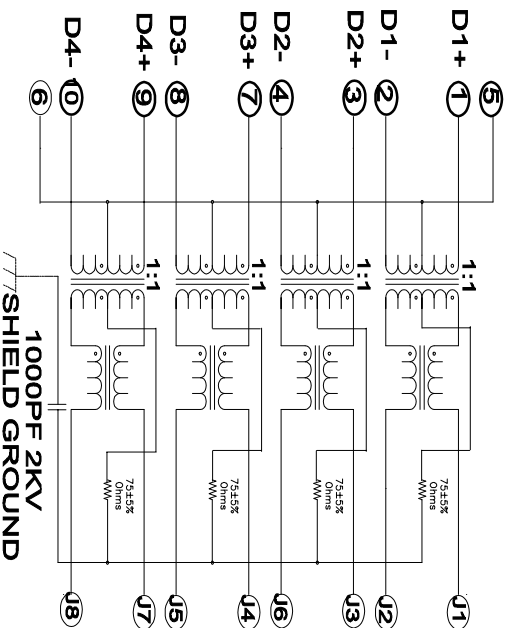
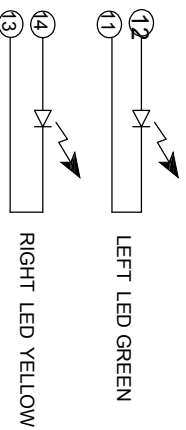


RECOMMENDED PCB LAYOUT
VIEWED FROM COMPONENT SIDE



MATERIAL:
Housing: PBT/UL94V-0/Black.
Terminal: CS210R-EH,AU 5U" plating at contact area.

MECHANICAL:
Durability: 750 cycles
Operation temperature: -40°C~+85°C.
Normal force at mated position: 100g min.

ELECTRICAL:
1.Voltage rating: 125V AC.
2 insulation resistance: 1000 megohms MIN @500VDC.
3.Contact resistance: 50 milliohms Max.
4.T/R:RX=1CT(+/-5%)&TX=1CT:1CT.
5.OCL: 350uH Min at 100 KHz/0.1Vrms with 8mA Bias From 0T To 70°C.
6.Insertion Loss: -1.0 dB Max 1MHz TO 100MHz.
7.Retn Loss: -16dB Min From 1MHz To 30MHz; -14dB Min From 30MHz To 60MHz; -10dB Min From 60MHz To 80MHz;
8.Cross Talk: -40dB Min From 1MHz-30 MHz; -30dB Min From 30MHz To 60MHz; -30dB Min From 60MHz To 100MHz.
9.CMR: -35dB Min From 1MHz-100MHz
10.HI-Pot: 1500V AC 6S 1mA.

Specification LED

Standard LED Color	LED Wavelength (nm)	Forward (V Max)	Typical (V TYP)	Luminous Intensity
Green	560-580 nm	2.5V	2.1-2.2V	9-25 MCD
Yellow	580-610 nm	2.5V	2.1-2.2V	9-30 MCD

UNITS:	mm
GENERAL TOLERANCE	X. ±5°
PART NO. (INTENDED USE)	CSCONN PRECISE ELECTRONICS CO.,LTD
CRJ08211603004	TITLE: RJ45 8P DIP90 1000BASE LED无弹
APPD:	DWG NO. RJ45
CHKD: Skilla	SCALE SHEET
DR: Kitty	1 OF 1
	REV A

X. 1±2°	0. XX±0.2
XX ±1°	0. XXX±0.1
DR:	Kitty

