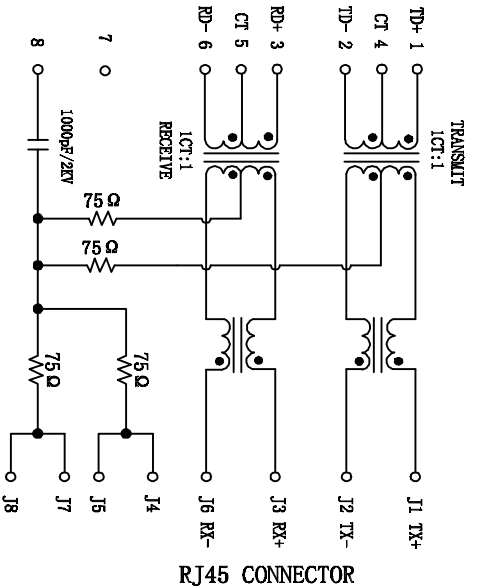


PCB LAYOUT

Specification LED

Standard LED Color	LED Wavelength	Forward (V MAX)	Typical (V TYP)	Luminous Intensity
Green	560-580 nm	2.5V	2.1-2.2V	9-25 MCD
Yellow	580-610 nm	2.5V	2.1-2.2V	9-30 MCD

PC BOARD CONNECTIONS



MATERIAL:
Housing: PB1JUL94V-0Black.
Terminal: CS210R-EH, AU 5U" plating at contact area.

MECHANICAL:
Durability: 750 cycles
Operation temperature: -40°C~+85°C.
Normal force at mated position: 100g min.

ELECTRICAL:
1. Voltage rating: 125V AC.
2. Insulation resistance: 1000 megohms MIN @500VDC.
3. Contact resistance: 50 milliohms Max.
4. I/R: RX=IC1(+/-5%)&TX=IC1:IC1.
5. OCL: 350uH Min at 100 KHz/0.1Vrms with 8mA Bias From 0°C To 70°C.
6. Insertion Loss: -1.0 dB Max 1MHz To 100MHz.
7. Return Loss: -16dB Min From 1MHz To 30MHz; -14dB Min From 30MHz To 60MHz; -10dB Min From 60MHz To 80MHz;
8. Cross Talk: -40dB Min From 1MHz-30 Mhz; -35dB Min From 30MHz To 60MHz; -30dB Min From 60MHz To 100MHz.
9. CMR: -35dB Min From 1MHz-100MHz
10. HI-Pot: 1500V AC 6S 1mA.

CSCCONN

CSCCONN PRECISE ELECTRONICS CO.,LTD

PART NO.(INTENDED USE)
CRJ08211603002

TITLE: RJ45 8P DIP90 10/100BASE LED无弹

APPD: Skil1a

DWG NO. RJ45

CHKD: Kitty



SCALE SHEET REV
1:1 1 OF 1 A