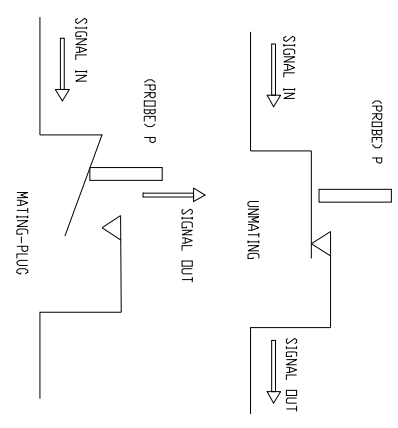
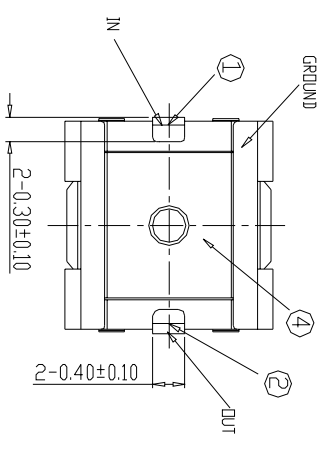


Recommend PCB Layout
General Tolerance $\pm 0.05\text{mm}$



No.	Part Name	Material	Finish	Qty
1	Input terminal(C)	Stainless Steel	Au 5u"/Ni 50u"	1
2	Input terminal(R)	Copper Alloy	Au 5u"/Ni 50u"	1
3	Outer terminal	Copper Alloy	Ag 40u"/Ni 50u"	1
4	Case	Engineering plastic	None	1

UNITS: mm		CSCONN	PART NO. (INTENDED USE) CRF272715001	CSCONN PRECISE ELECTRONICS CO.,LTD	TITLE: MINI RF H=1.5MM SMT	DWG NO. RF	SCALE	SHEET	REV
GENERAL TOLERANCE									
X. ±5°	0.X±0.25	APPD:							
X. 1±2°	0.XX±0.2	CHKD:	Skila						
XX. ±1°	0.XXX±0.1	DR:	Kitty						