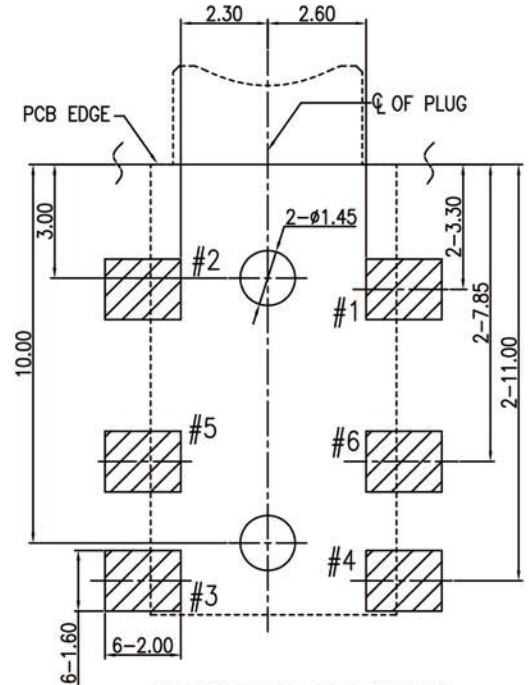
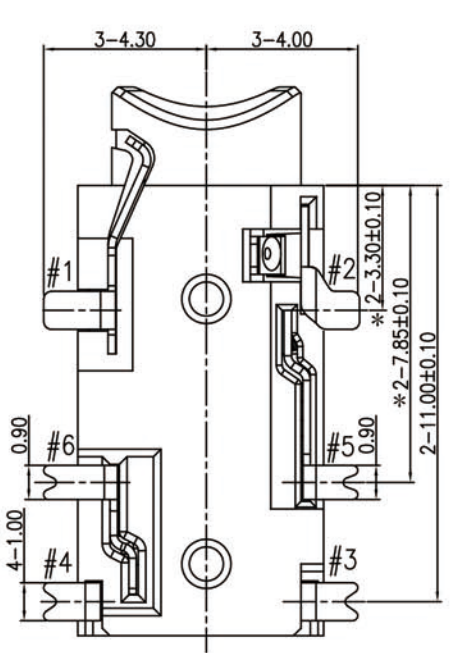
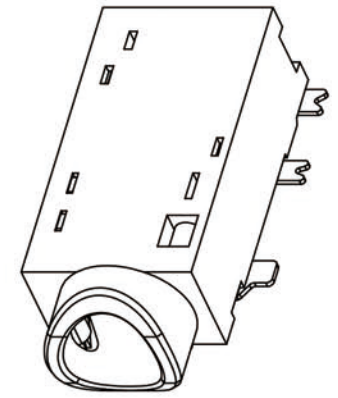


0.10
All SOLDDERTAIL

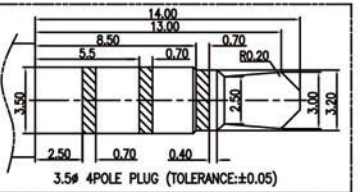
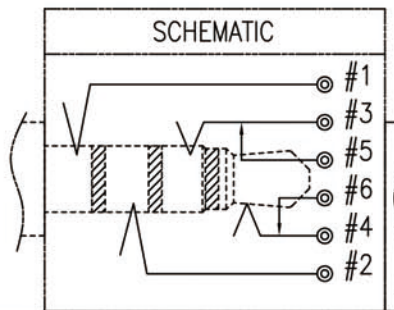


RECOMMENDED PCB LAYOUT
TOP VIEW (TOLERANCE:±0.05)

SPECIFICATIONS:

1. ELECTRICAL CHARACTERISTICS:
 - 1-1. RATING: DC 12V 0.5A
 - 1-2. CONTACT RESISTANCE: 30mΩ MAX.(INITIAL)
 - 1-3. DIELECTRIC WITHSTANDING VOLTAGE: 500V AC FOR ONE MINUTE
 - 1-4. INSULATION RESISTANCE: 100MΩ MIN. MEASURED BY 500V DC
2. MECHANICAL CHARACTERISTICS:
 - 2-1. INSERTION FORCE : 0.3~3.0 KGF
 - 2-2. WITHDRAWAL FORCE : 0.3~3.0 KGF
3. LIFE TEST: 10,000 CYCLES MIN.
4. FOR REFLOW SOLDERING LEAD-FREE PROCESS.
5. * REPRESENT CRITICAL DIMENSIONS.

NO.	DESCRIPTION	QTY	MATERIAL	PLATING & COLOR
G	TERMINAL-6	1	COPPER ALLOY T=0.20	GOLD FLASH
F	TERMINAL-5	1	COPPER ALLOY T=0.20	GOLD FLASH
F	TERMINAL-4	1	COPPER ALLOY T=0.20	GOLD FLASH
D	TERMINAL-3	1	COPPER ALLOY T=0.20	GOLD FLASH
C	TERMINAL-2	1	COPPER ALLOY T=0.20	GOLD FLASH
B	TERMINAL-1	1	COPPER ALLOY T=0.20	GOLD FLASH
A	HOUSING	1	HIGH TEMP THERMOPLSTIC	BLACK COLOR



UNITS: mm		CSCONN	CSCONN PRECISE ELECTRONICS CO.,LTD			
GENERAL TOLERANCE			PART NO.(INTENDED USE) CPJ3566	TITLE: PHONE JACK		
X. ° ±5°	0.X±0.3	APPD:	DWG NO. JACK			
X. 1±2°	0.XX±0.2	CHKD: Skila		SCALE	SHEET	REV
XX. ±1°	0.XXX±0.1	DR: Kitty		1:1	1 OF 1	A
XXX. ±0.5°						