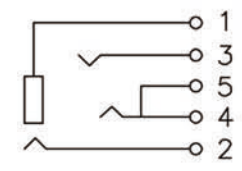
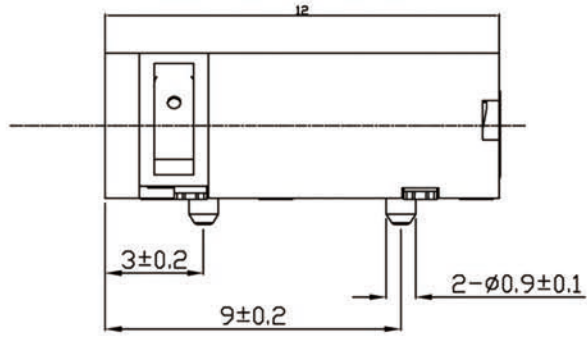
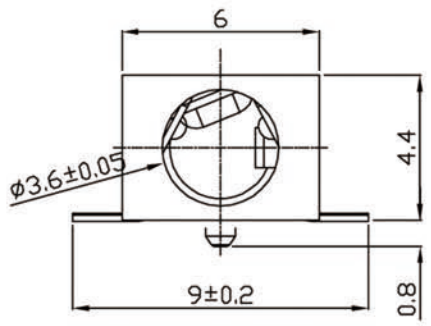
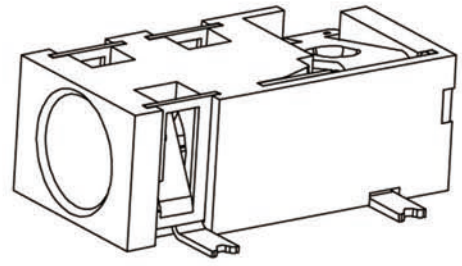


PCB LAYOUT TOP VIEW



CIRCUIT DIAGRAM



①	HOUSING PH-PJ-3510-27L B	1	PA-9T-Black	
②	TERMINAL MT-PJ-3510-29 G	1	BRASS t=0.25	Au-Plated
③	TERMINAL MT-PJ-3510-29 G	1	PHOSPHOR BRONZE t=0.25	Au-Plated
④	TERMINAL MT-PJ-3510-19 G	3	PHOSPHOR BRONZE t=0.2	Au-Plated
No.	PART NAME	QTY	MATERIAL (THICK, COLOR)	REMARK

UNITS:		CSCONN	CSCONN PRECISE ELECTRONICS CO.,LTD			
mm						
GENERAL TOLERANCE:		PART NO.(INTENDED USE)	TITLE:			
X. ° ±5°	0. X±0.25	CPJ3527	PHONE JACK			
X. 1±2°	0. XX±0.2	APPD:	DWG NO.			
XX. ±1°	0. XXX±0.1	CHKD: Skila	JACK			
		DR: Kitty		SCALE	SHEET	REV
				1:1	1 OF 1	A