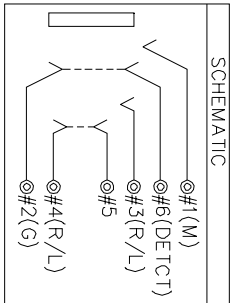
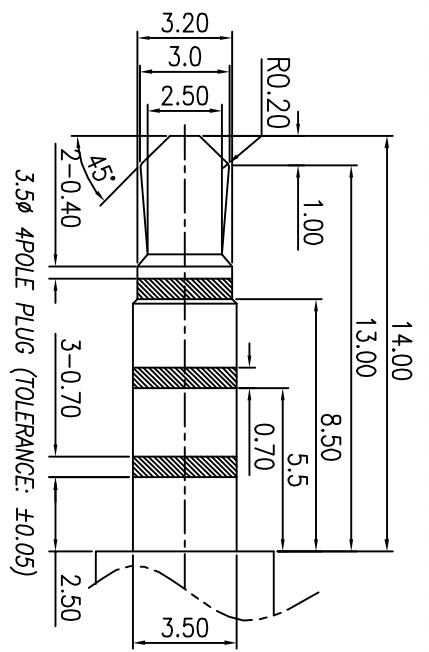


- SPECIFICATIONS:
1. ELECTRICAL CHARACTERISTICS:
- 1-1. RATING: 20V 0.5A
  - 1-2. CONTACT RESISTANCE: 50mΩ MAX.(INITIAL) AFTER TEST:100mΩ MAX
  - 1-3. DIELECTRIC WITHSTANDING VOLTAGE: 500V AC FOR ONE MINUTE
  - 1-4. INSULATION RESISTANCE: 100MΩ MIN. MEASURED BY 500V DC
2. MECHANICAL CHARACTERISTICS:
- 2-1. INSERTION FORCE : 3N~30N
  - 2-2. WITHDRAWAL FORCE : 3N~30N
  - 3. LIFE TEST: 5,000 CYCLES MIN.
  - 4. FOR REFLOW SOLDERING LEAD-FREE PROCESS.



NO.	DESCRIPTION	QTY	MATERIAL	PLATING & COLOR
E	TERMINAL 5#	1	COPPER ALLOY t=0.2	Au plated
D	TERMINAL 4#	1	COPPER ALLOY t=0.2	Au plated
C	TERMINAL 2#/3#/6#	3	COPPER ALLOY t=0.2	Au plated
B	TERMINAL 1#	1	COPPER ALLOY t=0.2	Au plated
A	HOUSING	1	PA9T	BLACK

**CSCONN**

CSCONN PRECISE ELECTRONICS CO.,LTD

UNITS: mm  
GENERAL TOLERANCE  
X. ±5° 0.X±0.25  
X.1±2° 0.XX±0.2  
XX. ±1° 0.XXX±0.1

PART NO. (INTENDED USE)  
CPJ3197

APPD:  
CHKD: Skilla  
DR: Kitty

TITLE: PHONE JACK

DWG NO. JACK

SCALE SHEET REV  
1:1 1 OF 1 A

CPJ3197

JACK

SKILLA

1 OF 1

KITTY

A