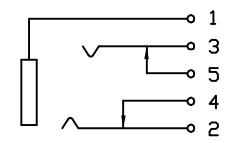
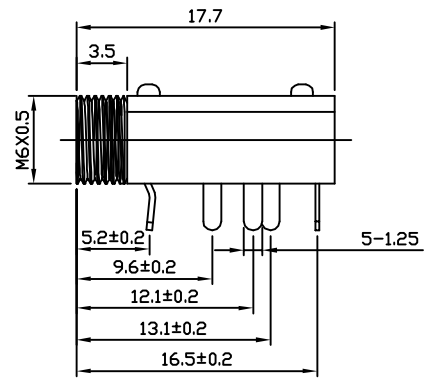
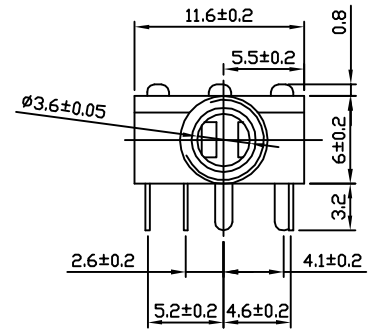
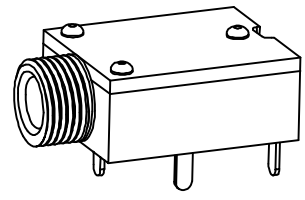


PCB LAYOUT TOP VIEW



CIRCUIT DIAGRAM



⑧	COVER	PC-PJ-3065A-Z 3	1	PC (Lucency)	
⑦	HOUSING	PH-PJ-3065A-Z 2	1	PBT (Black)	
⑥	FIX TURN	MS-PJ-3065AM-Q S	1	H59	Ag-Plated
⑤	TERMINAL	MT-PJ-3065AM-5Q S	1	BRASS t=0.30	Ag-Plated
④	TERMINAL	MT-PJ-3065AM-4Q S	1	BRASS t=0.30	Ag-Plated
③	TERMINAL	MT-PJ-3065AM-3Q S	1	PHOSPHOR BRONZE t=0.30	Ag-Plated
②	TERMINAL	MT-PJ-3065AM-2Q S	1	PHOSPHOR BRONZE t=0.30	Ag-Plated
①	TERMINAL	MT-PJ-3065AM-1Q S	1	BRASS t=0.45	Ag-Plated
No.	PART NAME	QTY	MATERIAL (THICK, COLOR)		REMARK

UNITS: mm		CSCONN	CSCONN PRECISE ELECTRONICS CO.,LTD			
GENERAL TOLERANCE						
X. ° ±5°	0. X±0.25	PART NO.(INTENDED USE) CPJ3065AM	TITLE: PHONE JACK			
X. 1±2°	0. XX±0.2	APPD:	DWG NO. JACK			
XX. ±1°	0. XXX±0.1	CHKD: Skila		SCALE	SHEET	REV
		DR: Kitty		1:1	1 OF 1	A