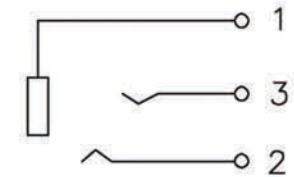
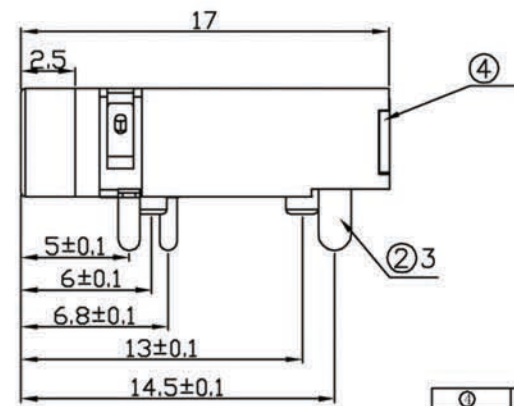
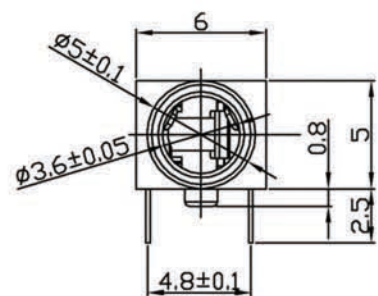
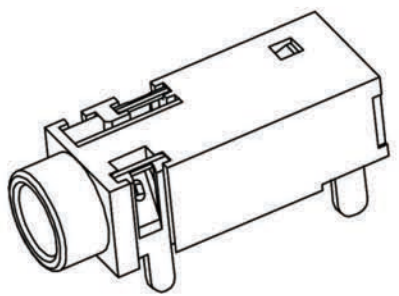


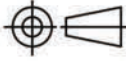
PCB LAYOUT TOP VIEW



CIRCUIT DIAGRAM



①	COVER	PC-PJ-3515-L6	1	PA-9T (Black)	
②	HOUSING	PH-PJ-3514-L6	1	PA-9T (Black)	
③	TERMINAL	MT-PJ-3025-3QIS	1	PHOSPHOR BRONZE t=0.30	Ag-Plated
④	TERMINAL	MT-PJ-3025-2QIS	2	PHOSPHOR BRONZE t=0.20	Ag-Plated
No.	PART NAME	QTY	MATERIAL (THICK, COLOR)	REMARK	

UNITS:		CSCONN	CSCONN PRECISE ELECTRONICS CO.,LTD								
mm											
GENERAL TOLERANCE		PART NO.(INTENDED USE)	TITLE: PHONE JACK								
X. ° ±5°	0. X±0.25	CPJ3024	DWG NO. JACK								
X. 1±2°	0. XX±0.2	APPD:	 <table border="1"> <tr> <td>SCALE</td> <td>SHEET</td> <td>REV</td> </tr> <tr> <td>1:1</td> <td>1 OF 1</td> <td>A</td> </tr> </table>			SCALE	SHEET	REV	1:1	1 OF 1	A
SCALE	SHEET	REV									
1:1	1 OF 1	A									
XX. ±1°	0. XXX±0.1	CHKD: Skila									
		DR: Kitty									