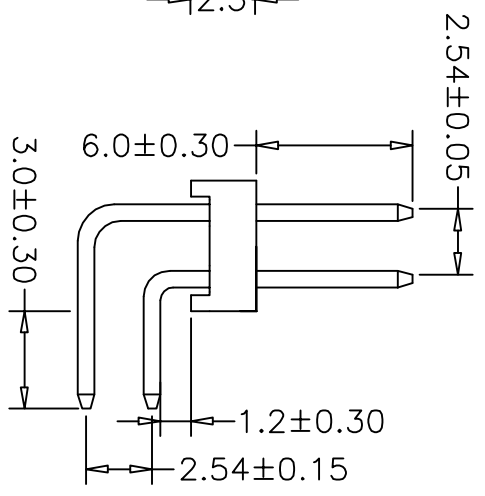


PCB LAYOUT

**SPECIFICATIONS**  
 Current Rating : 3AMP  
 Operation Temperature: -40°C to +105°C  
 Contact Resistance : 20mΩ Max.  
 Insulation Resistance: 1000MΩ Min.  
 Withstanding Voltage : AC 1000V  
 Insulator Material : Polyester(UL94V-0)  
 Standard: PBT

Contact Material : Brass  
 Contact plating : Au or Sn over 50u”  
 Ni



|                   |           |                        |  |                                     |  |
|-------------------|-----------|------------------------|--|-------------------------------------|--|
| UNITS: mm         |           | <b>CSCONN</b>          |  | CSCONN PRECISE ELECTRONICS CO.,LTD  |  |
| GENERAL TOLERANCE |           | PART NO.(INTENDED USE) |  | TITLE:                              |  |
| X. ±5°            | 0.X±0.25  | CPH2540213X002         |  | PH 2.54MM XP DIP90双排塑高2.5mm L12.9MM |  |
| X.1 ±2°           | 0.XX±0.2  | APPD:                  |  | DWG NO. PH                          |  |
| XX. ±1°           | 0.XXX±0.1 | CHKD: Skilla           |  | SCALE                               |  |
|                   |           | DR: Kitty              |  | 1:1                                 |  |
|                   |           |                        |  | SHEET                               |  |
|                   |           |                        |  | 1 OF 1                              |  |
|                   |           |                        |  | REV                                 |  |
|                   |           |                        |  | A                                   |  |