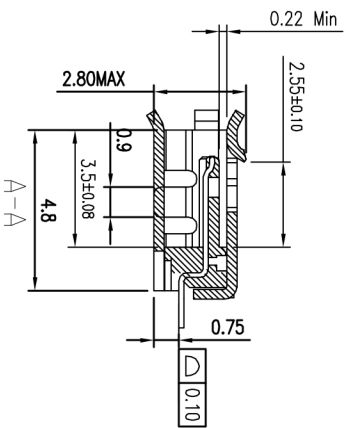


RECOMMENDED PCB LAYOUT



- SPECIFICATIONS:**
- ELECTRICAL CHARACTERISTICS:**
 - 1-1. CONTACT RESISTANCE: 30mΩ MAX.
 - 1-2. DIELECTRIC WITHSTANDING VOLTAGE: 500V AC FOR 1 MINUTE
 - 1-3. INSULATION RESISTANCE: 100MΩ MIN
 - MECHANICAL CHARACTERISTICS:**
 - 2-1. INSERTION FORCE : 3.5 kgf MAX
 - 2-2. WITHDRAWAL FORCE : 1.0 kgf MIN
 - DURABILITY:** 10,000 CYCLES.
 - OTHER SPEC TO REFER USB 3.0 SPEC.**
 - TO CONFORM TO SINGATRON HAZARDOUS SUBSTANCE FREE SPEC.**
 - HALOGEN FREE PRODUCT IDENTIFICATION MARK :**
 - HALOGEN FREE PRODUCT IDENTIFICATION LABEL ON PACKAGING:**
 - FOR RETLOW SOLDERING LEAD-FREE PROCESS.**
 - PACKAGING : TAPE & REEL.**

Pin Assignments	Pin No.	Signal Name
Shield	10	MEB_SSRX+
MEB_SSRX+	9	MEB_SSRX-
MEB_SSRX-	8	GNL_DRAIN
GNL_DRAIN	7	MEB_SSTX+
MEB_SSTX+	6	MEB_SSTX-
MEB_SSTX-	5	GNL
GNL	4	ID
ID	3	D+
D+	2	D-
D-	1	VBUS

UNITS: mm		CSCONN		CSCONN PRECISE ELECTRONICS CO.,LTD	
GENERAL TOLERANCE		PART NO.(INTENDED USE)		TITLE:	
X. ° ±5°	0. X±0.25	CML0065104001		MICRO USB 3.0 FEMALE 沉板式	
X. 1±2°	0. XX±0.2	APPD:		DWG NO.	
XX. ±1°	0. XXX±0.1	CHKD: Skitia		MICRO USB	
		DR: Kitty		SCALE	
				1:1	
				SHEET	
				1 OF 1	
				REV	
				A	