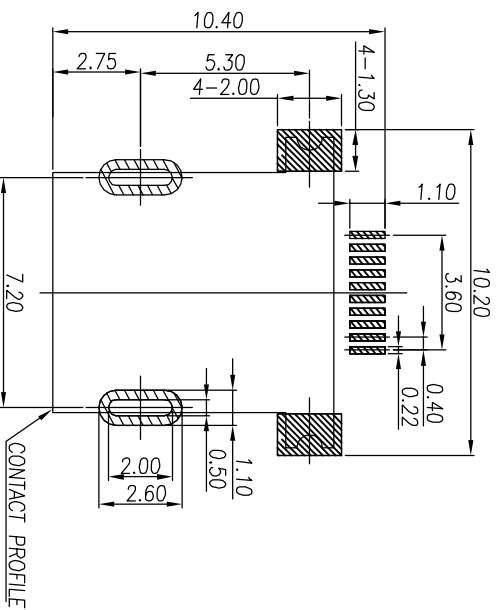
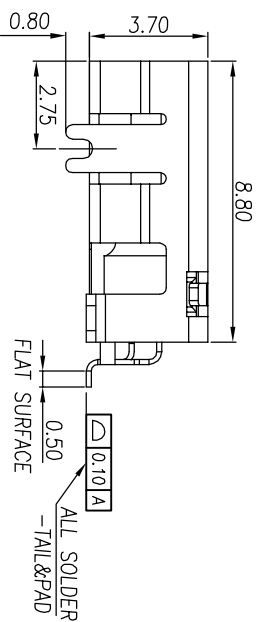
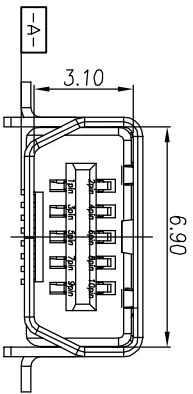
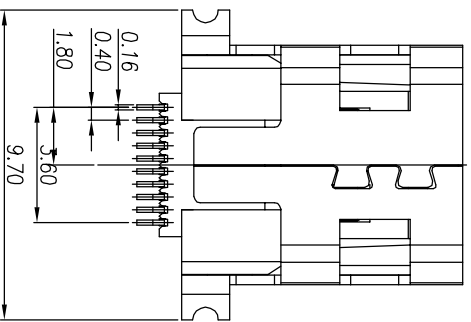


3D VIEW

- NOTE:
- ELECTRICAL CHARACTERISTICS
 - CONTACT RESISTANCE: 80mΩ MAX.
 - INSULATION RESISTANCE: 1000MΩ MIN.
 - DIELECTRIC WITHSTANDING VOLTAGE: 500V AC MIN FOR 1 MINUTE.
 - DURABILITY: 5000 CYCLES
 - INSERTION FORCE: 35N Max.
 - EXTRACTION FORCE: 10N Min.



RECOMMENDED PCB LAYOUT(TOP VIEW)
GENERAL TOLERANCES:±0.05



UNITS: mm		CSCONN		CSCONN PRECISE ELECTRONICS CO.,LTD	
GENERAL TOLERANCE		PART NO.(INTENDED USE)		TITLE:	
X. ° ±5°	0. X±0.25	CMU04108802002		MINI USB 10P FEMALE DIP AB TYPE	
APPD:		CHKD:		DWG NO.	
X. 1±2°	0. XX±0.2	Skila		MINI USB	
XX. ±1°	0. XXX±0.1	DR:		SCALE	
		Kitty		1:1	
				SHEET	
				1 OF 1	
				REV	
				A	