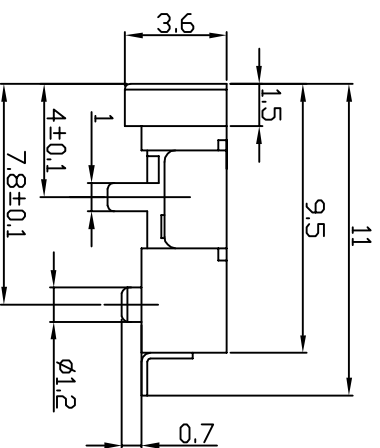
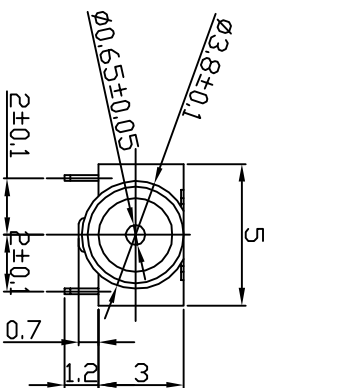
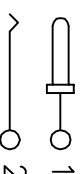


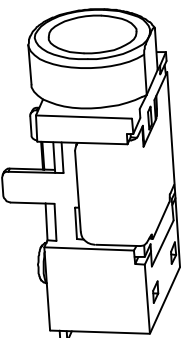
PCB LAYOUT TOP VIEW



CIRCUIT DIAGRAM



No.	PART NAME	QTY	MATERIAL (THICK, COLOR)	REMARK
①	HOUSING	1	PART(BLACK)	
②	TERMINAL	1	PHOSPHOR BRONZE t=0.25	Ag-Plated
③	TERMINAL	1	H62 $\phi=0.65$	CuSn-Plated
④	TERMINAL	1	PHOSPHOR BRONZE t=0.20	Ag-Plated
⑤	TERMINAL	1	PHOSPHOR BRONZE t=0.25	Ag-Plated
⑥	TERMINAL	1	BRONZE t=0.25	Ag-Plated



UNITS: mm		<b>CSCONN</b>	PART NO. (INTENDED USE) CDC055	TITLE: DC JACK	DWG NO. DC JACK	SCALE 1:1	SHEET 1 OF 1	REV A
GENERAL TOLERANCE								
X. ° ±5°	0.X±0.3							
X.1±2°	0.XX±0.2	APPD: Skilla						
XX ±1°	0.XXX±0.1	CHKD: Kitty						
XXX. ±0.5°		DR: Kitty						