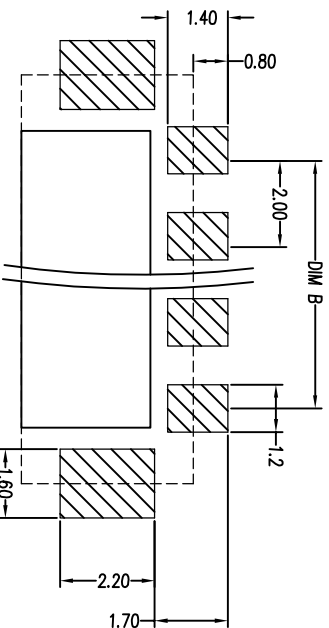
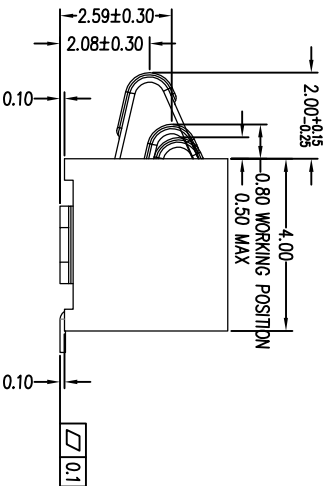
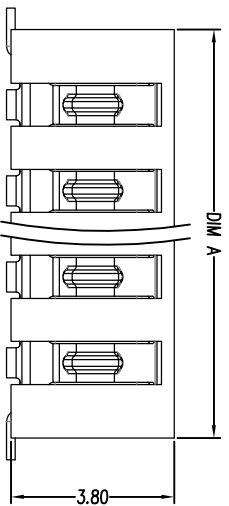
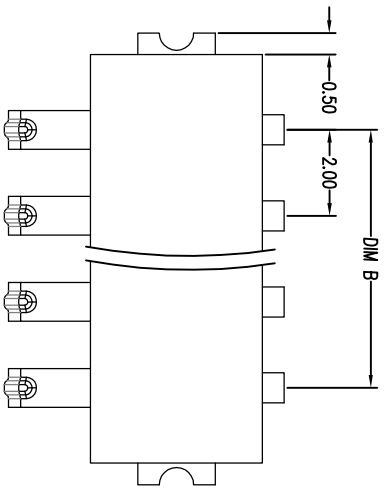
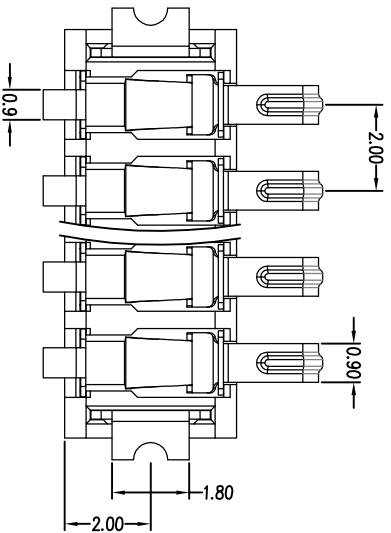


- NOTES:
- 1.ELECTRICAL PERFORMANCES:
 - 1-1. RATING CURRENT: 2A
 - 1-2. RATING VOLTAGE: 12 VAC
 - 1-3. CONTACT RESISTANCE: 30 Ω m
 - 1-4. INSULATION RESISTANCE: 500 Ω M
 - 1-5. DIELECTRIC WITHSTANDING VOLTAGE: 500VAC FOR 1 MINUTE
 - 2.MECHANICAL PERFORMANCE:
 - 2-1. DURABILITY: 3000TIMES
 - 2-2. NORMAL FORCE AT WORKING POSITION: 80gf Min.
 - 2-3. OPERATION TEMPERATURE: -40 ° C ~ +85 ° C.



RECOMMENDED PCB LAYOUT
TOL:(±0.05)

PART NO.	DIM A	DIM B
CBA2002384002	5.50	2.0
CBA2003384002	7.50	4.0
CBA2004384002	9.50	6.0
CBA2005384002	11.5	8.0
CBA2006384002	13.5	10.0



CSCONN

CSCONN PRECISE ELECTRONICS CO.,LTD

PART NO.(INTENDED USE)

CBA20XX384002

TITLE: BATTERY 2.0MM 2~6P H=3.8MM

APPD:

CHKD: Skilla

DWG NO.

BATTERY

DR:

Kitty



SCALE SHEET REV
1:1 1 OF 1 A

UNITS: mm

GENERAL TOLERANCE

X. ±5° 0. X±0.25

X.1±2° 0. X±0.2

XX. ±1° 0. XXX±0.1