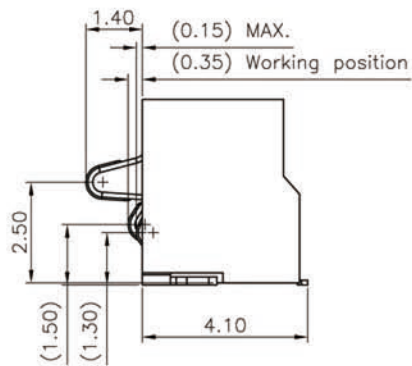
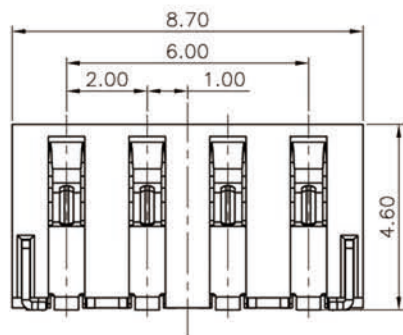


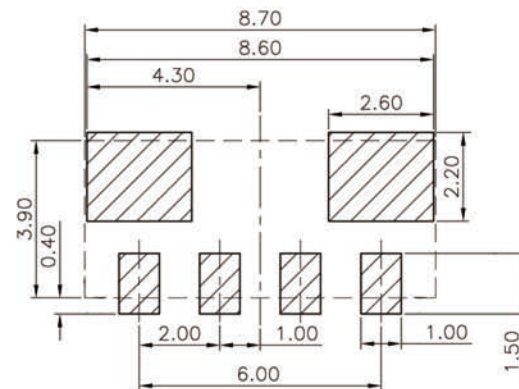
NOTES:

- 1) MATERIAL:
 - 1-1 HOUSING:THERMOPLASTIC,UL 94V-0, COLOR:BLACK
 - 1-2 CONTACT:COPPER ALLOY T=0.12mm
 - 1-3 NAIL : STAINLESS STEEL,T=0.20mm
- 2) FINISH:
 - 2-1 CONTACT: GOLD PLATING ON CONTACT AREA(SEE P/N)
TIN 100u" MIN PLATING ON SOLDER TAILS
50u" MIN,NICKEL UNDERPLATING OVER ALL
 - 2-2 NAIL: 50 u" MIN Ni UNDERPLATING,
100~200u" Tin OVERALL
- 3) PRODUCT SPECIFICATIONS:
 - 3-1 VOLTAGE RATING: 250V
 - 3-2 CURRENT RATING: 2.0A
 - 3-3 INSULATION RESISTANCE: 1000MEG.OHM MIN
 - 3-4 CONTACT RESISTANCE: 50 MILL.OHM MAX
 - 3-5 OPERATION TEMPERATURE: -55° TO +125°
 - 3-6 DURABILITY: 3000 CYCLES
 - 3-7 NORMAL FORCE: 80gf MIN AT THE WORKING POSITION

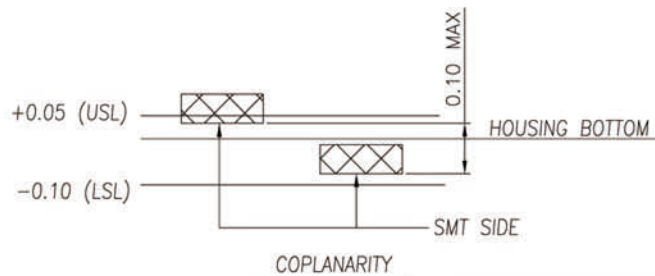
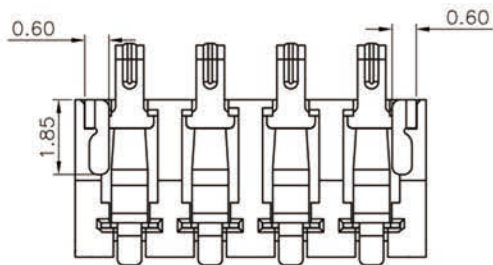
B



C



D



RECOMMENDED PCB LAYOUT
TOLERANCE (.XX±0.05)

E

UNITS:		CSCONN	CSCONN PRECISE ELECTRONICS CO.,LTD			
mm GENERAL TOLERANCE			PART NO.(INTENDED USE) CBA20048746002	TITLE: BATTERY 4P 2.0MM H=4.6MM 无柱		
X. ° ±5°	0.X±0.25	APPD:	DWG NO. BATTERY			
X.1±2°	0.XX±0.2	CHKD: Skila		SCALE	SHEET	REV
XX. ±1°	0.XXX±0.1	DR: Kitty		1:1	1 OF 1	A

1

2

3

4

5

6

7

8